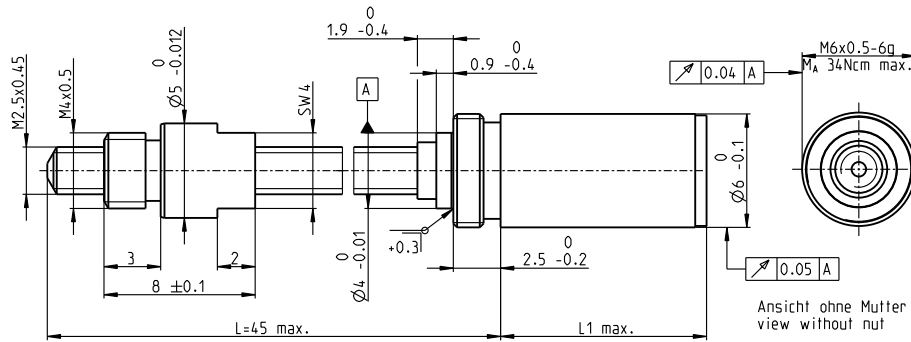


Screw Drive GP 6 S $\varnothing 6$ mm, metric lead screw



Technical Data

Screw	M2.5 x 0.45, stainless steel				
Standard length	45 mm				
Special length (5 mm steps)	max. 80 mm				
Nut (standard)	thread nut				
Material	bronze				
Axial play	< 0.088 mm				
Planetary gearhead	straight teeth				
Bearing	ball bearing				
Radial play, 5 mm from flange	< 0.12 mm				
Axial play	preloaded				
Max. continuous input speed	12000 rpm				
Recommended temperature range	-15...+80°C				
Max. axial load (static) ¹	10 N				
Number of stages	1	2	3	4	5
Max. radial load, 5 mm from flange	5 N	5 N	5 N	5 N	5 N

screw drive

M 2.5:1

- Stock program
- Standard program
- Special program (on request)

Part Numbers

Screw Drive Data	Part Numbers					
	428758	428757	428756	420663	428755	
1 Reduction	3.9 : 1	15 : 1	57 : 1	221 : 1	854 : 1	
2 Absolute reduction	$\frac{27}{7}$	$\frac{729}{49}$	$\frac{19683}{343}$	$\frac{531441}{2401}$	$\frac{1438907}{16807}$	
20 Max. feed velocity ¹	mm/s	15	10	2.6	0.7	0.2
21 Max. feed force (continuous) ¹	N	2	3	4	6	10
22 Max. feed force (intermittent) ¹	N	6	8	12	15	15
4 Number of stages		1	2	3	4	5
7 Max. efficiency gearhead incl. screw	%	28	24	21	19	16
8 Weight ¹	g	2.9	3.3	3.7	4.1	4.5
9 Average backlash no load	°	1.8	2.0	2.2	2.5	2.8
23 Mechanical positioning accuracy ¹	mm	0.106	0.107	0.107	0.107	0.108
10 Mass inertia gearhead incl. screw ¹	gcm ²	0.001	0.001	0.001	0.001	0.001
11 Gearhead length L1	mm	6.9	9.4	12.0	14.5	17.1

¹ based on screw length 45 mm



maxon Modular System

+ Motor	Page	+ Sensor/Brake	Page	Overall length [mm] = Motor length + gearhead length + (sensor / brake) + assembly parts		
RE 6, 0.3 W, A	117			22.6	25.1	27.7
RE 6, 0.3 W, B	117			26.6	29.1	31.7
						30.2
						32.8
						34.2
						36.8